

# MTP® Trunk Cable Assemblies

V.3.0

## Description

FibreFab MTP trunk multicore cable assemblies facilitate rapid deployment of high density backbone cabling in data centres and other high fibre environments reducing network installation or reconfiguration time and cost. They are used to interconnect cassettes, panels or ruggedized MTP fanouts, spanning MDA, HDA and EDA zones.

MTP trunk assemblies are offered in fibre types in standard 12, 24 or 48 core versions using a compact and rugged microcable structure. The compact cables optimize cableway use and improve airflow.

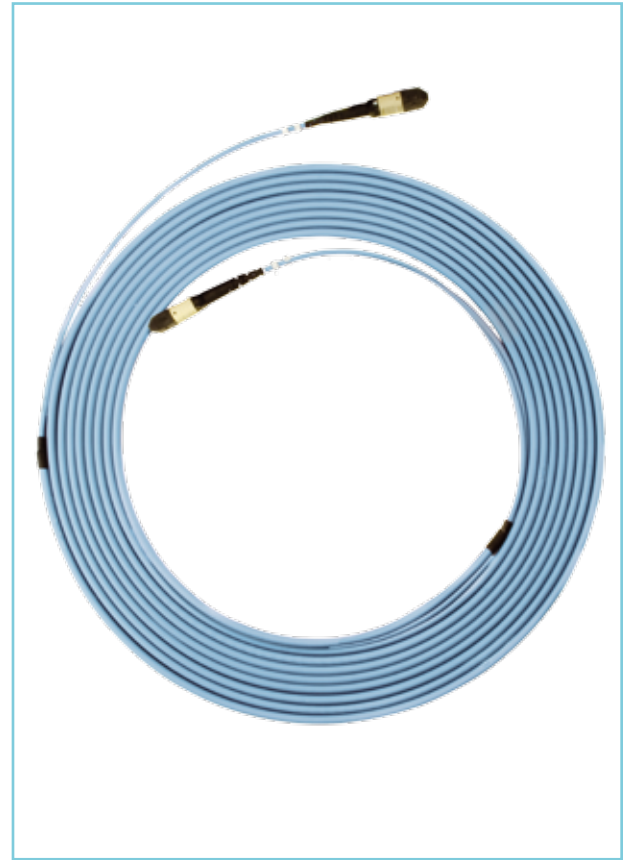
FibreFab MTP trunks are built with highest quality components. Standard MTP as well low loss Elite versions are offered featuring low insertion loss for demanding high speed networks where power budgets are critical.

## Features

- ▶ OS1/2, OM3, OM4 Fibre Grades (OM1 and OM2 available)
- ▶ 12, 24 and 48 Core Microcable Trunk
- ▶ LSZH, OFNP Cable Jacket
- ▶ Female (standard) and Male MTP connectors
- ▶ Polarity A (standard), B or C
- ▶ Factory Terminated and Tested

## Benefits

- ▶ **MTP® Interface-** MTP US Conec brand components feature superior optical and mechanical properties.
- ▶ **Optimised Performance** - low loss MTP Elite, discreet Premium connectors and OM4 fibre assures low insertion losses and power penalties in tight power budget high speed network environment.
- ▶ **High Density-** multifibre connector and compact dimension of ruggedized Microcable ease space in costly data centre environments.
- ▶ **Rapid Deployment-** factory terminated modular system saves installation and reconfiguration time during moves, adds and changes.
- ▶ **Reliability-** 100% tested- combination of high quality components and FibreFab manufacturing quality control guarantees product to the highest standards.
- ▶ **Next Generation Network Proof-** emerging high speed protocol are going to use MTP interface- your cabling infrastructure remains unchanged.



## Application

- ▶ Data Centre Infrastructure
- ▶ Storage Area Network- Fibre Channel
- ▶ Parallel Optics
- ▶ Infiniband
- ▶ Emerging 40 and 100Gbps Protocols

## Standards Compliance

- ▶ TIA/EIA-568-C.3 and ISO/IEC 11801
- ▶ IEC-61754-7 & EIA/TIA-604-5
- ▶ NFPA 262 (OFNP) or IEC 60332 (LSZH)
- ▶ TIA/EIA 568-B.1-7
- ▶ Compliant to Directive 2002/95/EC (RoHS) and REACH SvHC

## Connector Performance

CONNECTOR MATING	IL AVERAGE	IL MAX	RETURN LOSS
MTP Elite (MM)	0.20 dB	0.35 dB	NA
MTP (MM)	0.35 dB	0.60 dB	NA
MTP Elite (SM)	0.18dB	0.25dB	>60dB
MTP (SM)	0.25dB	0.75dB	>60dB

## Cable Performance

FibreType (ISO/IEC 11801)	OS1/OS2	OM1	OM2	OM3	OM4
Attenuation Coefficient [dB/km]	≤ 0.38 Max (1300nm)	≤ 3.5 Max (850nm)	≤ 3.5 Max (850nm)	≤ 3.5 Max (850nm)	≤ 3.5 Max (850nm)
	≤ 0.25 Max (1300nm)	≤ 1.5 Max (1300nm)	≤ 1.5 Max (1300nm)	≤ 1.5 Max (1300nm)	≤ 1.5 Max (1300nm)
Minimum Bandwidth: Overfilled Launch [Mhz-km]	≤ 0.34 Typ (1550nm)	≤ 2.9 Typ (850nm)	≤ 2.7 Typ (850nm)	≤ 2.7 Typ (850nm)	≤ 2.7 Typ (850nm)
	≤ 0.19 typ (1550nm)	≤ 1.2 typ (1300nm)	≤ 0.9 typ (1300nm)	≤ 0.9 typ (1300nm)	≤ 0.9 typ (1300nm)
Minimum Bandwidth: Laser Effective Modal Bandwidth [Mhz-km]	NA	≥ 200 (850nm)	≥ 500 (850nm)	≥ 1500 (850nm)	≥ 3500 (850nm)
	NA	≥ 500 (1300nm)	≥ 500 (1300nm)	≥ 500 (1300nm)	≥ 500 (1300nm)
Minimum Bandwidth: Laser Effective Modal Bandwidth [Mhz-km]	NA	NA	NA	≥ 2000 (850nm)	≥ 4700 (850nm)
	NA	NA	NA	NA	NA

MTP is a registered trademark of US Conec Ltd



+44 (0) 870 127 3330



+44 (0) 870 127 3331



sales@fibrefab.com



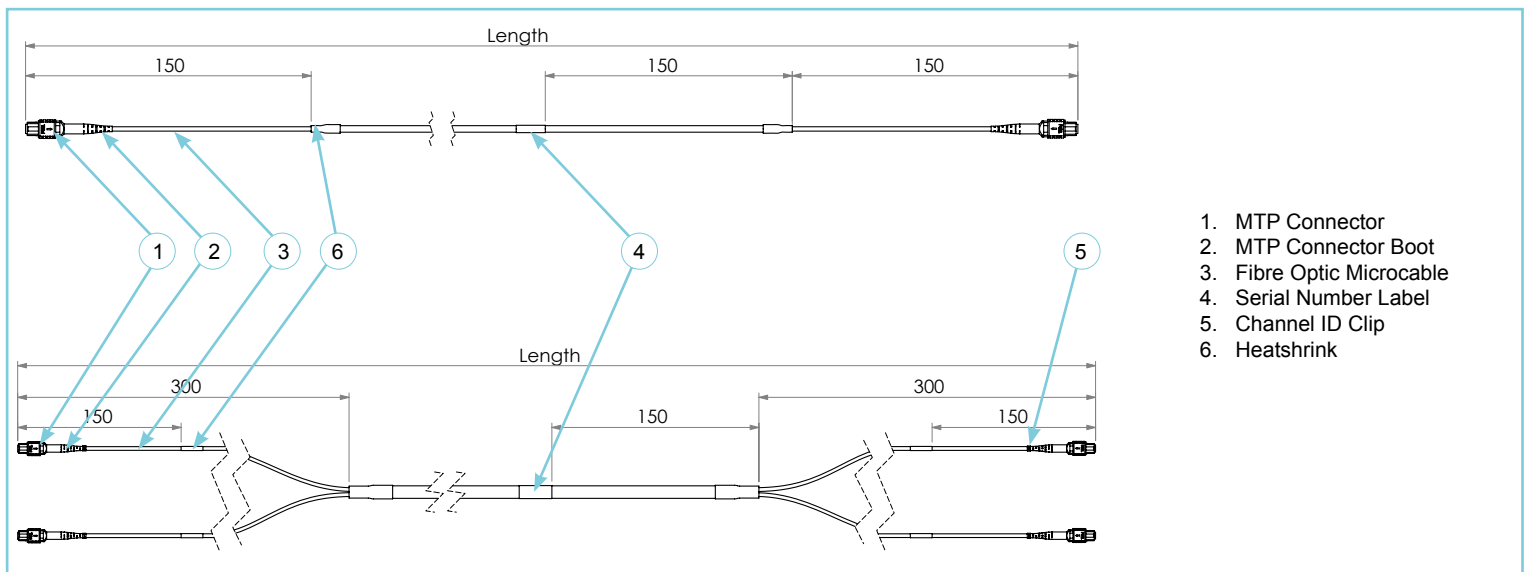
www.fibrefab.com

# MTP® Trunk Cable Assemblies

V.3.0

## Technical Specification

Element	Characteristic
Fibre	OS1/OS2, OM1*, OM2*, OM3, OM4 (ISO/IEC 60793)
Cable	Microcable- 12, 24, 48 cores (ISO/IEC 60794) MAX OD: Max OD 12 cores 4.5 ± 0.3mm / Max OD 24 cores 4.5 x 7.4 ± 0.3mm Jacket material: LSZH (IEC 60332), OFNP (NFPA 262) Jacket colour: Violet (OM3), Aqua (OM3, OM4), Yellow (OS1/OS2), Orange (OM1, OM2)
Connectors	MTP US Conec (IEC-61754-7 & EIA/TIA-604-5) Boot Colour: Black / Body Sleeve Colour: MM (Beige), MM Elite (Aqua), SM (Green), SM Elite (Yellow)
Packaging	Length < 50m- PE bag / Length > 50m- Drum
Operating Temperature	-10 ~ +60°C
Storage Temperature	-40 ~ +70°C



1. MTP Connector
2. MTP Connector Boot
3. Fibre Optic Microcable
4. Serial Number Label
5. Channel ID Clip
6. Heatshrink

## Part Number Generator

Connector END A		Gender A		Connector END B		Gender B		Fibre type		Fibre count	Cable length (m)	Polarity		Colour		Jacket Type	
MTP standard	MTP	Female	F	MTP standard	MTP	Female	F	OS1/OS2	09	12	XX	A	Aqua	AQ	LSZH standard	LS	
MTP Elite®	MTPE	Male	M	MTP Elite®	MTPE	Male	M	OM1	62	24		B	Purple	PU	OFNP	PL	
								OM2	50	48		C	Orange	OR			
								OM3	OM3								
								OM4	OM4								

## Example Part Number

**MTPFMTPFOM31216AAQLS**

This part number has created a 16 metre 12 Core MTP female to MTP female OM3 polarity method A, Jacket colour Aqua LSZH trunk assembly.