

MTP® Fan-Out Cable Assemblies

V.3.2

Description

FibreFab MTP® ruggedized fan-out assemblies route multifibre MTP® connection into discreet connectors. They are used to directly interconnect MTP® cassettes, panels or backbone MTP® assemblies with the active equipment, saving costly data centre rack space and easing fibre management.

MTP® fan-out assemblies are offered in fibre types in standard 12, 24 or 48 core versions using a compact and rugged microcable structure. The compact cables optimize cableway use and improve airflow.

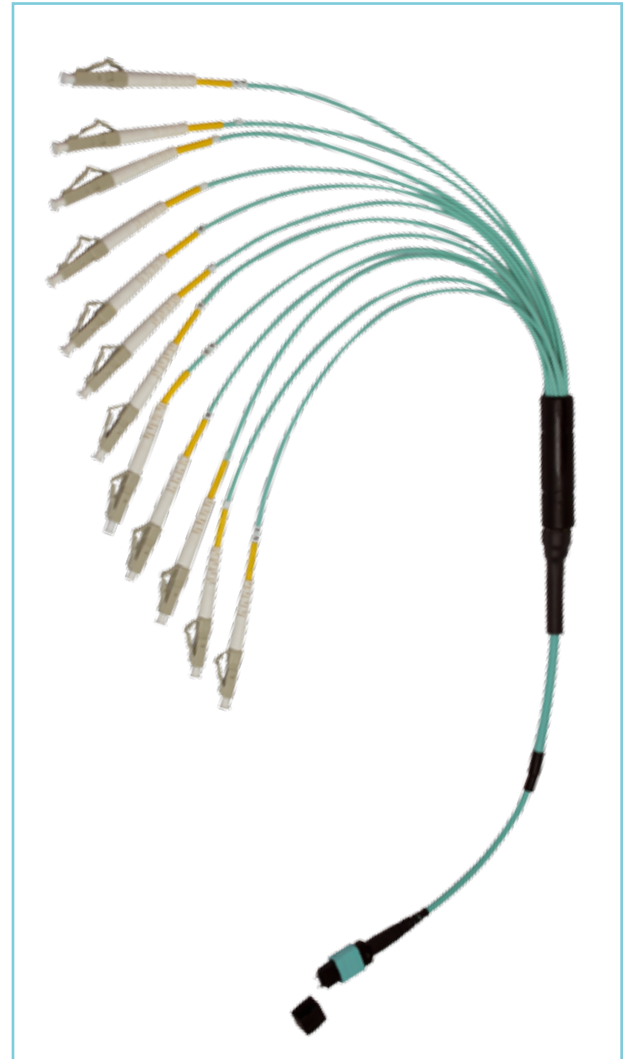
FibreFab MTP® fan-out are built with highest quality components. Standard MTP® as well low loss Elite versions are offered featuring low insertion loss for demanding high speed networks where power budgets are critical.

Features

- ▶ OS1/2, OM3, OM4 fibre versions (OM1 and OM2 available)
- ▶ 12, 24 and 48 core microcable trunk assemblies
- ▶ LSZH, OFNP cable jacket
- ▶ Female or Male MTP® connectors
- ▶ Factory terminated and tested

Benefits

- ▶ **MTP® Interface-** MTP® US Conec brand components feature superior optical and mechanical properties.
- ▶ **Optimised Performance-** low loss MTP® Elite, discreet Premium connectors and OM4 fibre assures low insertion losses and power penalties in tight power budget high speed network environment.
- ▶ **High Density-** ruggedized fan-out allows for direct connection between backbone and active equipment eliminating rack space usage
- ▶ **Rapid Deployment-** factory terminated modular system saves installation and reconfiguration time during moves, adds and changes.
- ▶ **Reliability-** 100% tested- combination of high quality components and FibreFab manufacturing quality control guarantees product to the highest standards.



Technical Specification

- ▶ Data Centre Infrastructure
- ▶ Storage Area Network- Fibre Channel
- ▶ Parallel Optics & Infiniband
- ▶ Emerging 40 and 100Gbps Protocols

Standards Compliance

- ▶ TIA/EIA-568-C.3 and ISO/IEC 11801
- ▶ IEC-61754-7 & EIA/TIA-604-5
- ▶ NFPA 262 (OFNP) or IEC 60332 (LSZH)
- ▶ IEC-61754-20 (LC) & IEC-61754-14 (SC)
- ▶ Compliant to Directive 2002/95/EC (RoHS) and REACH SvHC
- ▶ IEC-60793

Connector Performance

CONNECTOR MATING	IL AVERAGE	IL MAX	RETURN LOSS	CONNECTOR MATING	IL AVERAGE	IL MAX	RETURN LOSS
MTP® Elite (MM)	0.10 dB	0.35 dB	NA	MTP® Elite (SM)	0.10 dB	0.35 dB	>60dB
MTP® (MM)	0.20 dB	0.60 dB	NA	MTP® (SM)	0.25 dB	0.75 dB	>60dB
LC, SC (MM)	0.15dB	0.30dB	NA	LC, SC (SM)	0.18dB	0.25dB	>55/65dB*
LC, SC Premium (MM)	0.08dB	0.15dB	NA	LC, SC Premium (SM)	0.12dB	0.30dB	>55/65dB*

* UPC/APC

Cable Performance

FibreType (ISO/IEC 11801)	OS1/OS2	OM1	OM2	OM3	OM4
Attenuation Coefficient [dB/km]	≤ 0.38 Max (1300nm)	≤ 3.5 Max (850nm)	≤ 3.5 Max (850nm)	≤ 3.5 Max (850nm)	≤ 3.5 Max (850nm)
	≤ 0.25 Max (1300nm)	≤ 1.5 Max (1300nm)	≤ 1.5 Max (1300nm)	≤ 1.5 Max (1300nm)	≤ 1.5 Max (1300nm)
Minimum Bandwidth: Overfilled Launch [Mhz-km]	≤ 0.34 Typ (1550nm)	≤ 2.9 Typ (850nm)	≤ 2.7 Typ (850nm)	≤ 2.7 Typ (850nm)	≤ 2.7 Typ (850nm)
	≤ 0.19 typ (1550nm)	≤ 1.2 typ (1300nm)	≤ 0.9 typ (1300nm)	≤ 0.9 typ (1300nm)	≤ 0.9 typ (1300nm)
Minimum Bandwidth: Laser Effective Modal Bandwidth [Mhz-km]	NA	≥ 200 (850nm)	≥ 500 (850nm)	≥ 1500 (850nm)	≥ 3500 (850nm)
	NA	≥ 500 (1300nm)	≥ 500 (1300nm)	≥ 500 (1300nm)	≥ 500 (1300nm)
Minimum Bandwidth: Laser Effective Modal Bandwidth [Mhz-km]	NA	NA	NA	≥ 2000 (850nm)	≥ 4700 (850nm)
	NA	NA	NA	NA	NA

MTP is a registered trademark of US Conec Ltd



+44 (0) 870 127 3330



+44 (0) 870 127 3331



sales@fibrefab.com



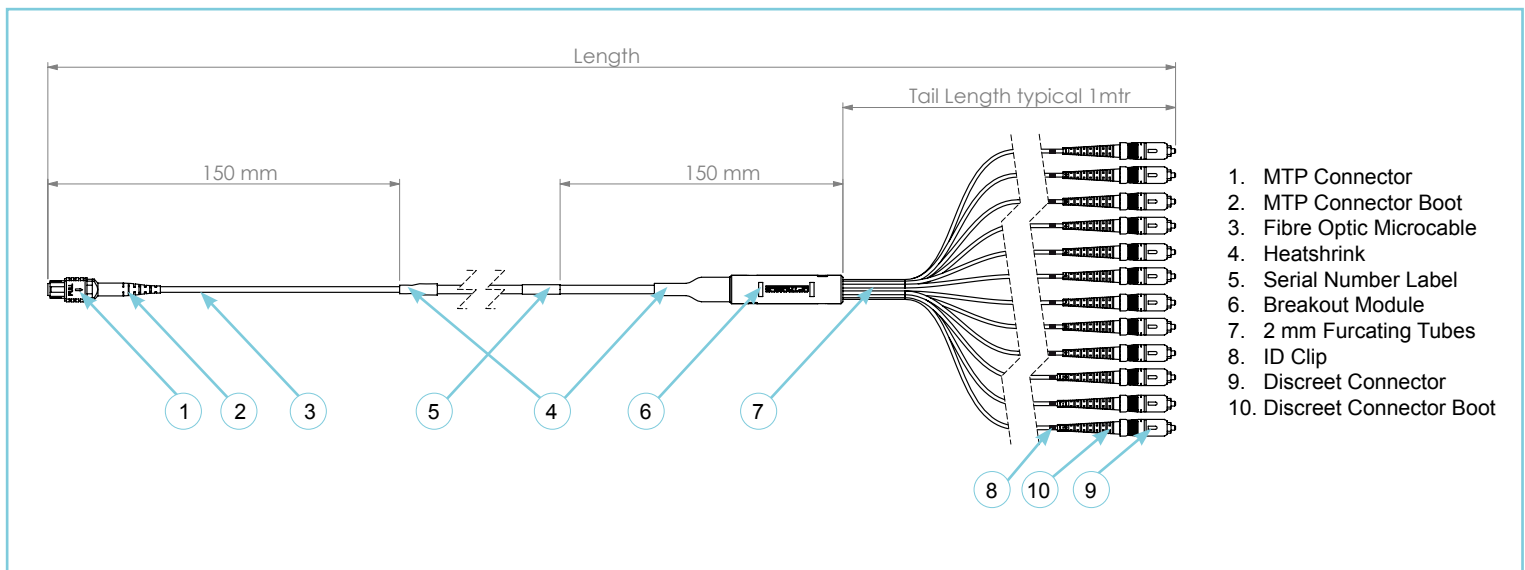
www.fibrefab.com

MTP® Fan-Out Cable Assemblies

V.3.2

Technical Specification

Element	Characteristic
Fibre	OS1/OS2, OM1*, OM2*, OM3, OM4 (ISO/IEC 60793)
Cable	Microcable- 12, 24, 48 cores (ISO/IEC 60794) MAX OD: Max OD 12 cores 4.5 ± 0.3mm / Max OD 24 cores 4.5 x 7.4 ± 0.3mm Jacket material: LSZH, OFNP Jacket colour: Violet (OM3), Aqua (OM3, OM4), Yellow (OS1/OS2)
Connectors	MTP® US Conec (IEC-61754-7 & EIA/TIA-604-5) Boot Colour: Black Body Sleeve Colour: MM (Beige), MM Elite (Aqua), SM (Green), SM Elite (Yellow) LC or SC (IEC 61754-20) Boot Colour: White Housing Color: Beige (MM), Blue (SM), Green (SM/APC)
Packaging	Length < 50m – PE bag / Length > 50m – Drum
Operating Temperature	-10 ~ +60°C
Storage Temperature	-40 ~ +70°C



Part Number Generator

Connector END A		Gender A		Fibre count	Connector END B		Fibre type		DF	Cable length (m)	Colour		Jacket Type	
MTP® standard	MTP	Female	F		12	LC	LC	OS1/OS2			09	Aqua	AQ	LSZH
MTP® Elite®	MTPE	Male	M	24	SC	SC	OM1	62	Purple	PU	OFNP	PL		
				48			OM2	50	Orange	OR				
							OM3	OM3						
							OM4	OM4						

Example Part Number

MTPF12LCOM3DF16AQ

This part number has created a 16 metres 12 core MTP female to LC OM3, Jacket colour Aqua LSZH ruggedized fan-out.



+44 (0) 870 127 3330



+44 (0) 870 127 3331



sales@fibrefab.com



www.fibrefab.com