

MTP® Cassette Modules

Description

FibreFab MTP® Cassette Modules provide secure transition between MTP® and LC or SC discrete connectors. They are used to interconnect MTP® backbones with LC or SC patching.

Modular system allows for rapid deployment of high density data centre infrastructure as well as improved troubleshooting and reconfiguration during moves, adds and changes. Cassettes can be mounted in 1U or 3U 19" multislotted chassis.

MTP® Cassettes contain factory controlled and tested MTP®-LC fanouts to deliver optical performance and reliability. Low loss MTP® Elite and LC or SC Premium versions are offered featuring low insertion loss for demanding power budget high speed networks.

Features

- ▶ MTP® (US Conec) brand MPO standard compliant multifibre connector
- ▶ LC (SFF Data Centre standard), SC discrete interface
- ▶ OS1/2, OM3, OM4 fibre grades (OM1 and OM2 available)
- ▶ 12 and 24 fibre versions - 12 LC (Duplex) / SC (Simplex) optical parts
- ▶ Polarity A (standard), B or C
- ▶ Factory terminated and tested
- ▶ High performance zirconia sleeve adaptors

Benefits

- ▶ **Rapid Deployment-** factory terminated modular system saves installation and reconfiguration time during moves, ads and changes.
- ▶ **MTP® Interface-** MTP® US Conec brand components feature superior optical and mechanical properties.
- ▶ **Optimised Performance-** low loss MTP® Elite, discrete Premium connectors and OM4 fibre assures low insertion losses and power penalties in tight power budget high speed network environment.
- ▶ **High Density-** 12 or 24 fibre cassettes can be mounted in 1 U scaling up to 72 or in 3 U scaling up to 336 discrete connectors.
- ▶ **Reliability-** 100% Tested- combination of high quality components and FibreFab manufacturing quality control guarantees product to the highest standards.

Application

- ▶ Data Centre Infrastructure
- ▶ Storage Area Network
- ▶ Fibre Channel

Standards Compliance

- ▶ TIA/EIA-568-C.3 and ISO/IEC 11801
- ▶ IEC-61754-7 & EIA/TIA-604-5
- ▶ Compliant to Directive 2002/95/EC (RoHS) and REACH SvHC
- ▶ IEC-61754-20 & IEC-61754-14
- ▶ IEC-60793

Connector Performance

CONNECTOR MATING	IL AVERAGE	IL MAX	RETURN LOSS	CONNECTOR MATING	IL AVERAGE	IL MAX	RETURN LOSS
MTP Elite (MM)	0.10 dB	0.35 dB	NA	MTP Elite (SM)	0.10 dB	0.35 dB	>60dB
MTP (MM)	0.20 dB	0.60 dB	NA	MTP (SM)	0.25 dB	0.75 dB	>60dB
LC, SC Premium (MM)	0.08dB	0.15dB	NA	LC, SC Premium (SM)	0.12dB	0.15dB	>55/65dB*
LC, SC (MM)	0.15dB	0.30dB	NA	LC, SC (SM)	0.18dB	0.30dB	>55/65dB*

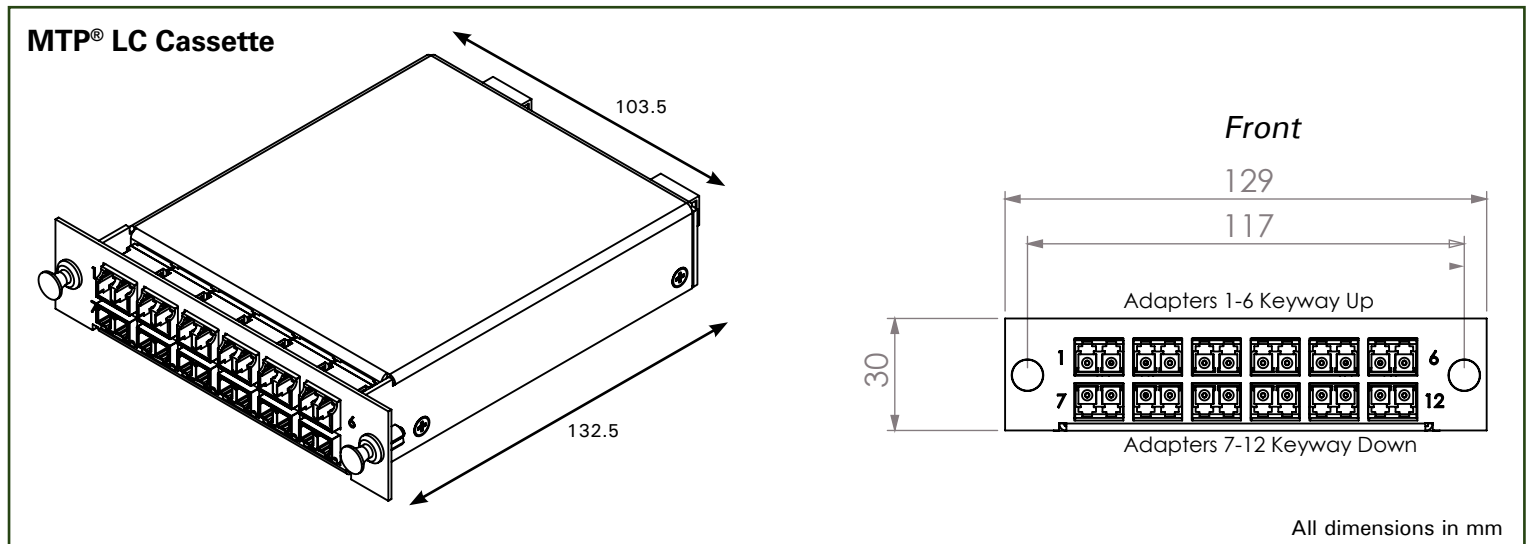
* UPC/APC



MTP® Cassette Modules

Technical Specification

Element	Characteristic
Fibre	OS1/OS2, OM1, OM2, OM3, OM4 (ISO/IEC 60793)
Adaptors	MTP® US Conec (IEC-61754 & EIA/TIA-604-5) Body Colour: Black Polarity: Keyway up- Keyway down Grey: Polarity B Keyway up- Keyway up LC Duplex (IEC 61754-20) Body Colour: Beige (MM) (OM1,OM2), Aqua (MM) (OM3), Erica Violet (OM4), Blue (SM/UPC), Green (SM/APC) (Sleeve Material: Zirconia)
Connectors	MTP® US Conec (IEC-61754-7 & EIA/TIA-604-5) Boot Colour: Black Body Sleeve Colour: MM (Beige), MM Elite (Aqua), SM (Green), SM Elite (Yellow) LC (IEC 61754-20) Boot Colour: White (MM and SM/UPC), Green (SM/APC) Body Colour: Beige (MM), Blue (SM), Green (SM/APC)
Cassette Material	Colled rolled steel 1.2mm thickness with a black powder coat finish (Colour: RAL9004)
Operating Temperature	-20 ~ +60°C
Storage Temperature	-40 ~ +70°C
Packaging Dimensions	150mm x 50mm x 215mm
Weight	0.55kg



Part Number Generator

MTP Connector		Fibre Count	Discrete Connector	Fibre type		CASS	Polarity	
MTP Male (standard)	MTPM	12	LC (LC)	OS1/OS2	09		A	N/A
MTP Male Elite®	MTPEM	24	SC (SC)	OM1	62		B	B1
				OM2	50			B2
				OM3	OM3		C	N/A
				OM4	OM4			

Female available on request

Example Part Number

MTPM24LCOM3CASS

This part number refers to 24 fibres OM3 cassette with MTP male rear and LC front interface, polarity method A or C.