

Ethernet Fibre Media Converter 10/100 Mbps

V.3.3

Description

Media Converters provide an intelligent solution for fibre optic connectivity where simplicity, low cost, and minimum footprint are the primary considerations. The converters are designed to handle both legacy 10BaseT and 100BaseTX Fast Ethernet devices on their twisted pair port while maintaining 100BaseFX Fast Ethernet transmission on the fiber optic port. Plug-and-play simplicity makes connection easy.

Each Media Converter provides a 10/100BaseT/TX auto-negotiating RJ-45 twisted-pair connector port with Auto-MDIX capability for more convenient connection. Built-in 10/100 switch enables the fiber cable connection to operate at 100 Mbps connected to either a 10BaseT or a 100BaseTX network, while remaining completely 100BaseFX standard-compliant. Fibre connection can also operate in full duplex mode whether the RJ-45 port is connected to a full duplex switch or a half duplex hub.

Features

- ▶ Auto-Cross over for MDI/MDIX in TP port.
- ▶ Auto-Negotiation in TP port.
- ▶ Supports link fault pass through (LFP) function.
- ▶ LED display for link/activity, full/half, 10/100M.
- ▶ Converter mode with auto-change-forward (Switch) function.



Applications

- ▶ LAN
- ▶ FTTx
- ▶ Telecommunication networks

Technical Specification

- ▶ **Complies with:** IEEE 802.3 10Base-T, 802.3u 100Base-TX and 100Base-FX standards
- ▶ **Connector:** UTP RJ-45 connector, optical SC, FC, ST connector
- ▶ **Transmission Type:** 10/100M FDX/HDX
- ▶ **Data Buffer:** 128Kb RAM
- ▶ **Wavelength(typical):** Multi-mode: 1310nm (≤2Km)
Single-mode: 1310nm up to 60Km
1550nm up to 120Km
- ▶ **Operation mode:** Full duplex mode or half duplex mode
- ▶ **Temperature:** 0 - 50°C (Operating); -45 - 80°C (Storage)
- ▶ **Humidity:** 5%-80% non-condensing (Operating); 10%-90% (Storage)
- ▶ **Power Supply:** External 1A, +5VDC
Internal 110~260VAC
- ▶ **Dimensions:** External power version 95mm x70mm x 26mm (LxWxH)
Internal power version 140mm x110mm x 30mm (LxWxH)
- ▶ **Power Consumption:** 2.5W
- ▶ **Compliance:** RoHS & REACH
FCC Part 15 Class B
CE EN55022: 1998+A1: 2000+A2: 2003
EN61000-3-2: 2000+A2: 2005
EN61000-3-3: 1995+A1: 2001
EN55024: 1998+A1: 2001+A2: 2003
- ▶ **MTBF:** 65,000 h (25°C)



+44 (0) 870 127 3330



+44 (0) 870 127 3331



sales@fibrefab.com

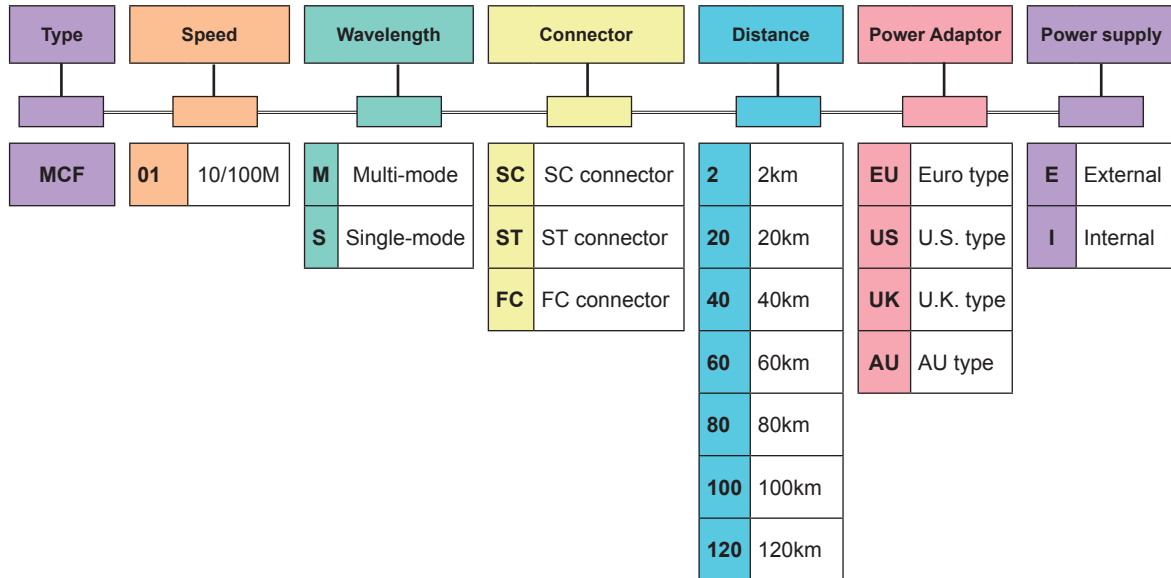


www.fibrefab.com

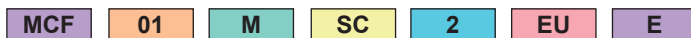
Ethernet Fibre Media Converter 10/100 Mbps

V.3.3

Part Number Generator



Example Part Number



This part number generator has created an:

10/100Base Un-managed media converter 2km SC, U.K. External power supply.



+44 (0) 870 127 3330



+44 (0) 870 127 3331



sales@fibrefab.com



www.fibrefab.com